



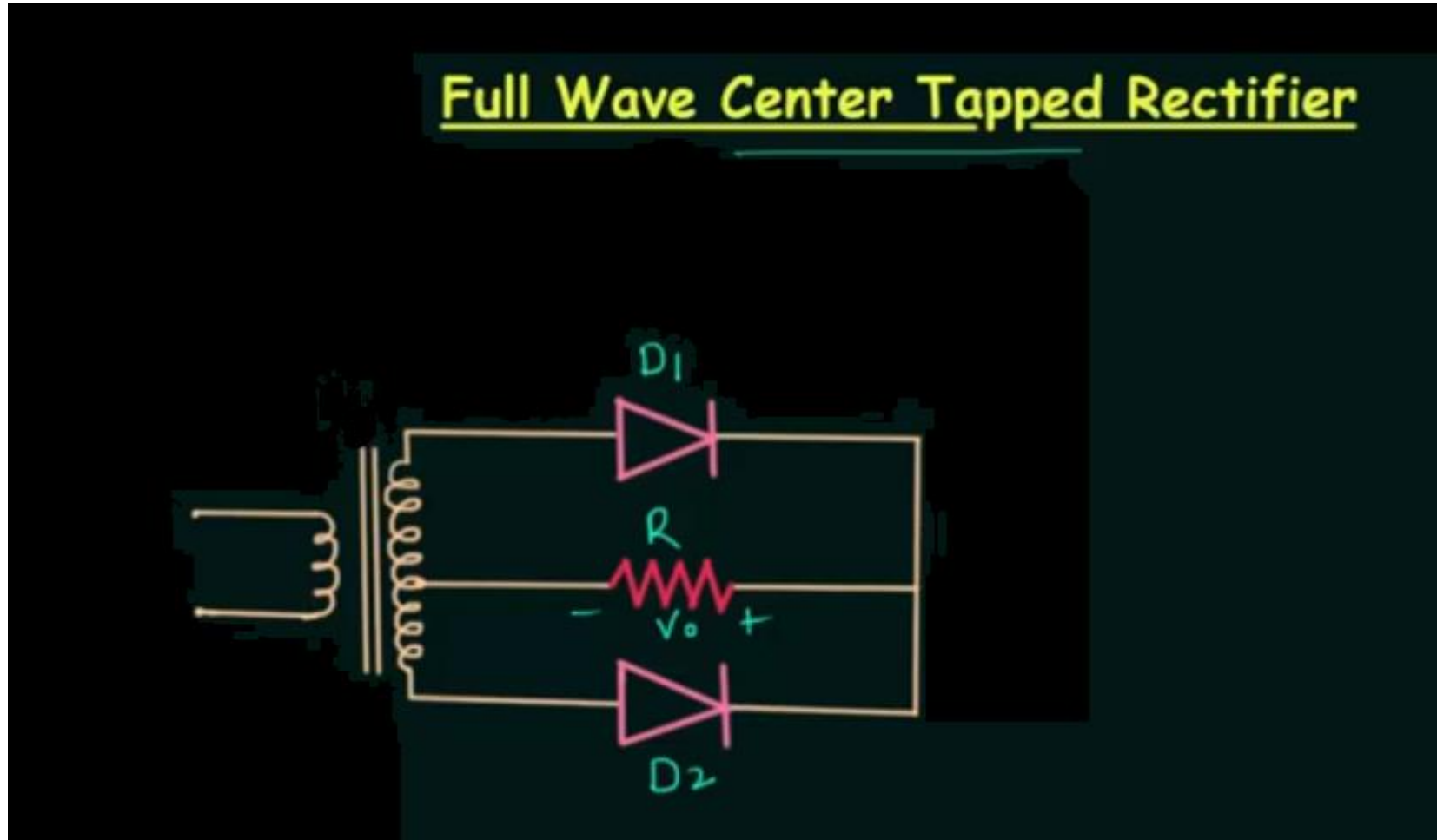
Unit 1 –

SEMICONDUCTOR DIODES

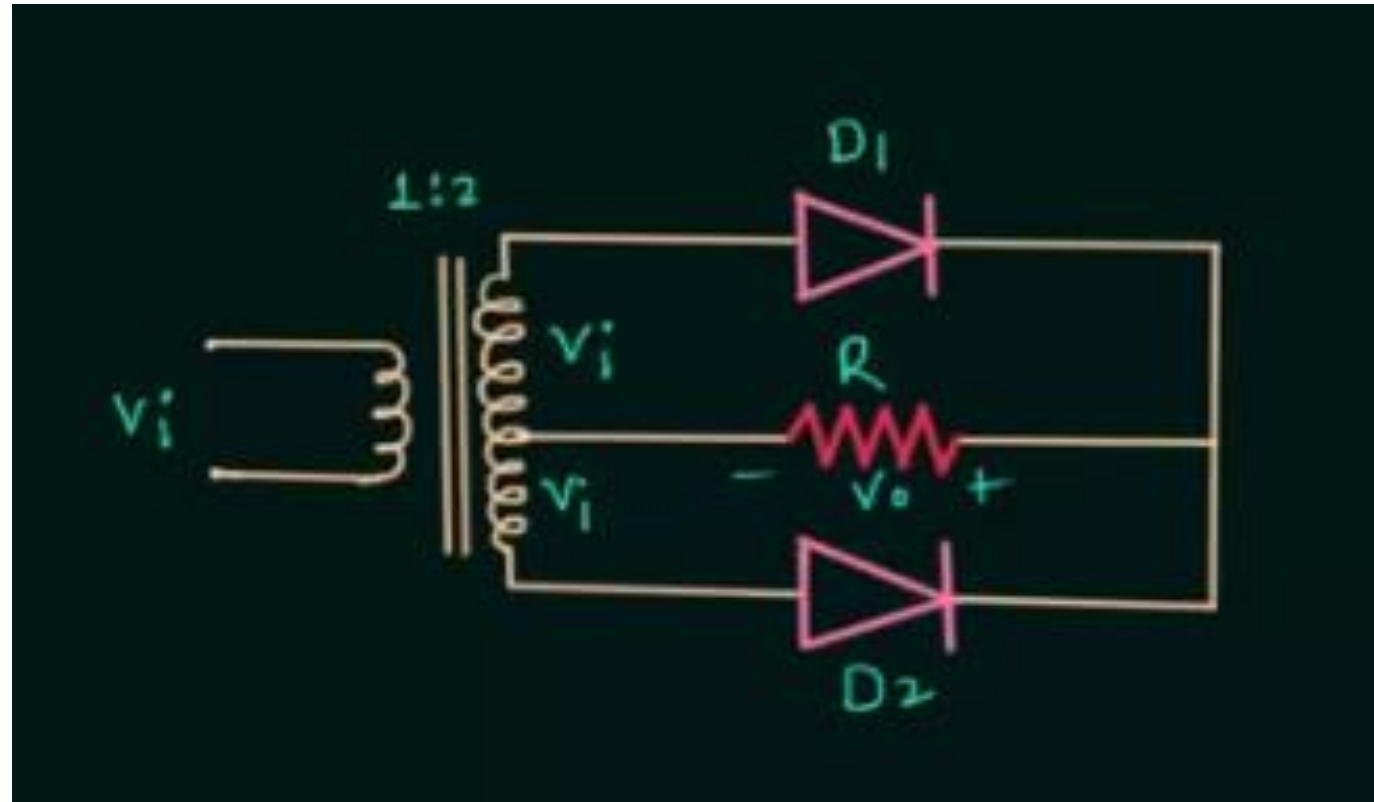
Class 3

Dr. Shilpa K.C
Assistant Professor
Dept. of Electronics and
Communication
Engineering
Dr.AIT

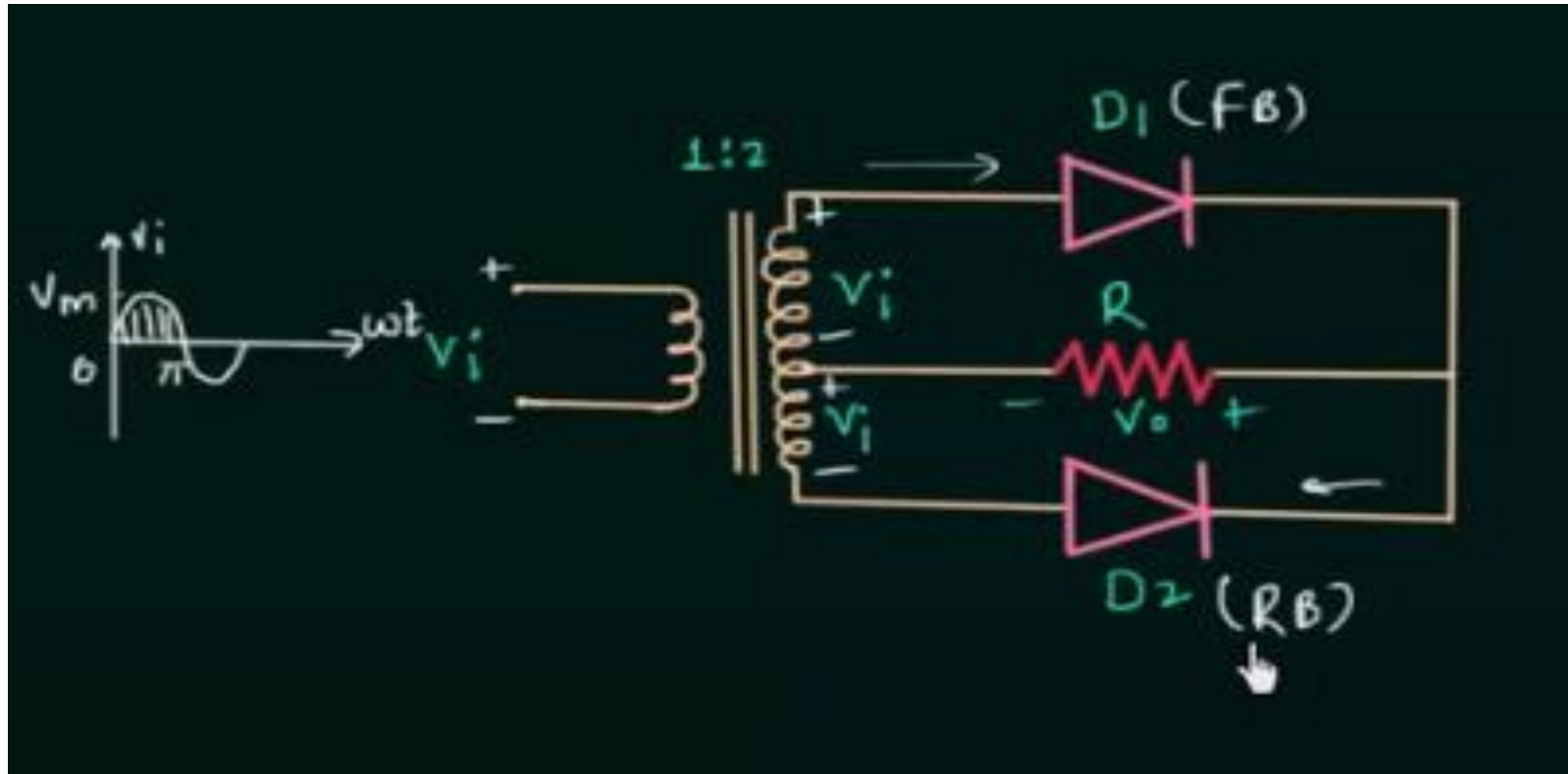
Full Wave Center Tapped Rectifier



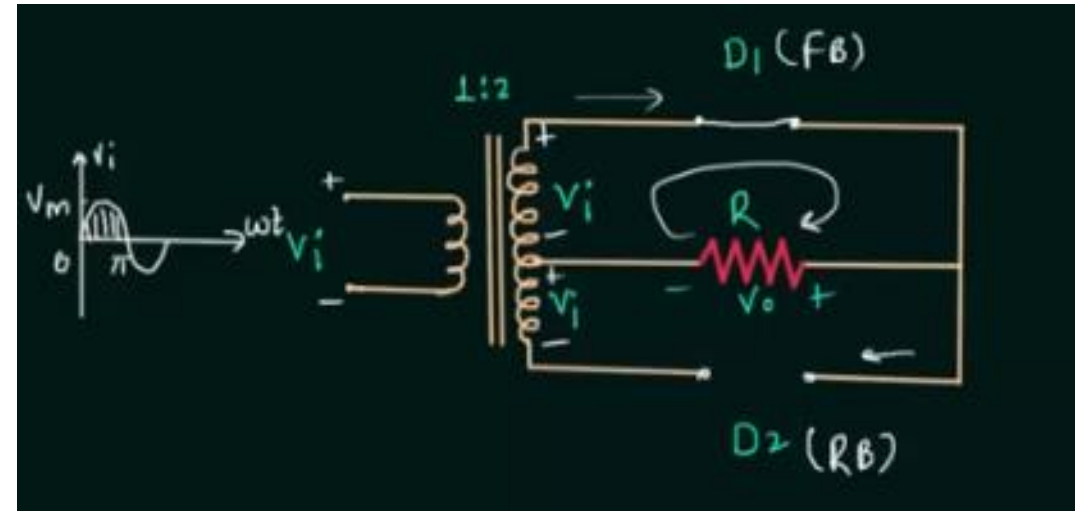
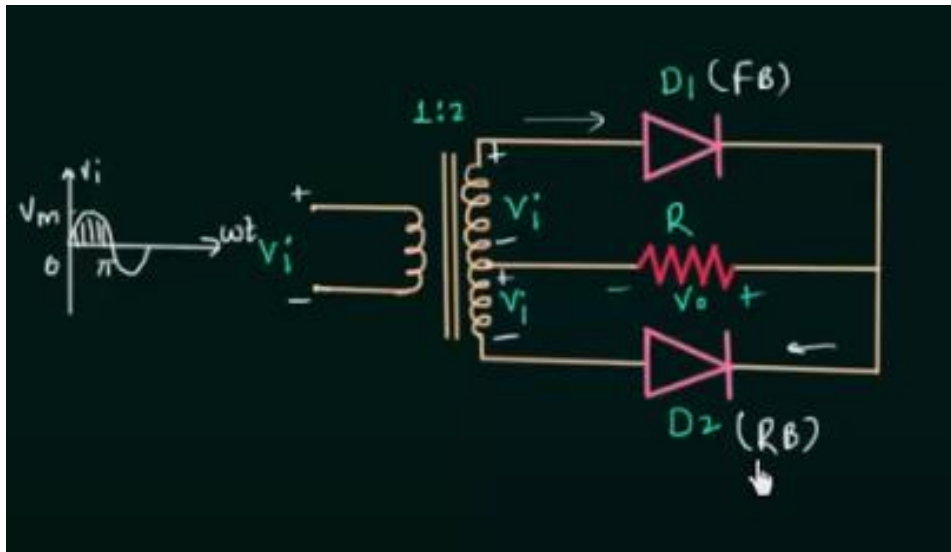
Full Wave Center Tapped Rectifier



Full Wave Center Tapped Rectifier



Full Wave Center Tapped Rectifier

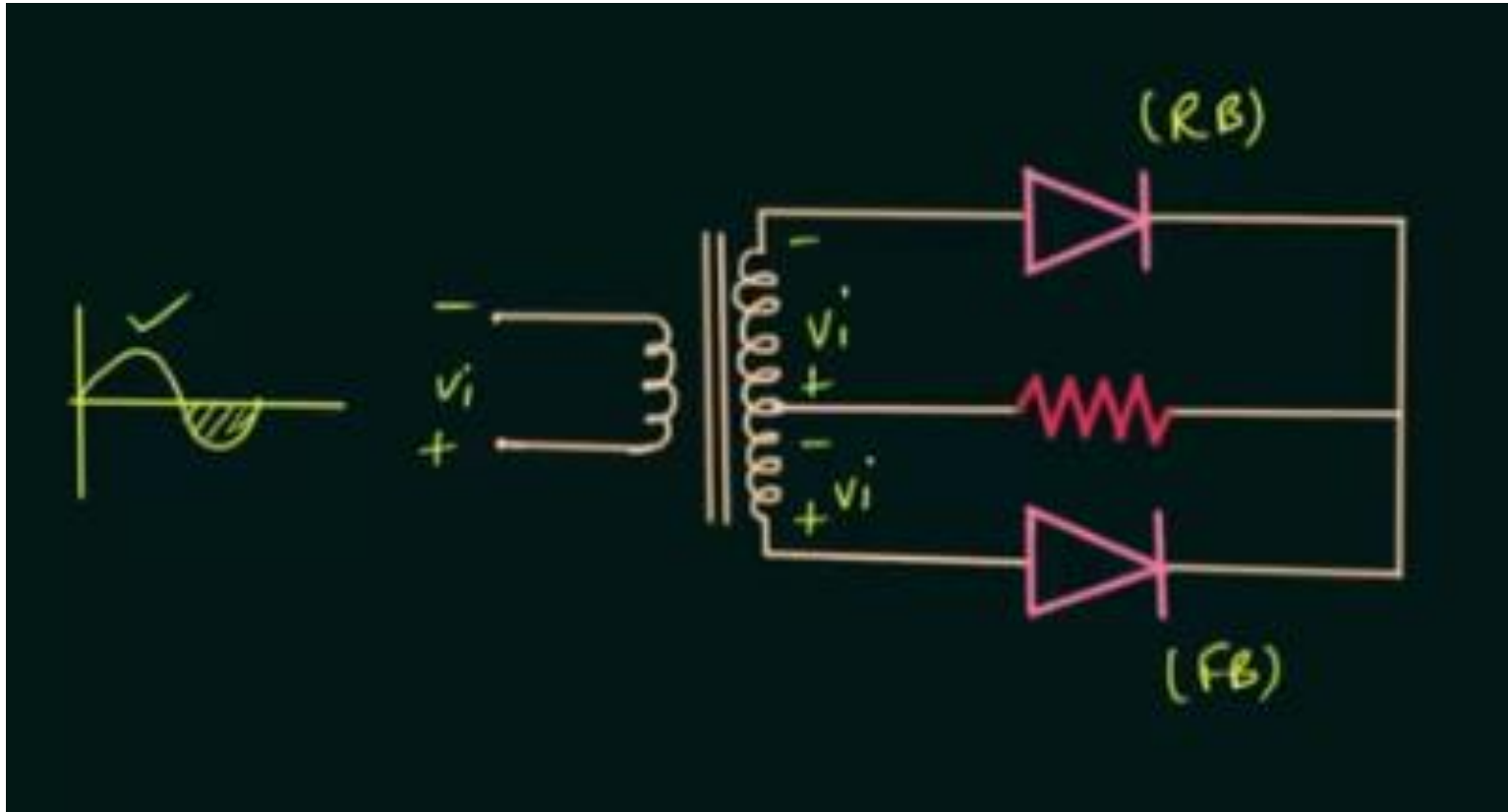


$$+v_i - v_o = 0$$

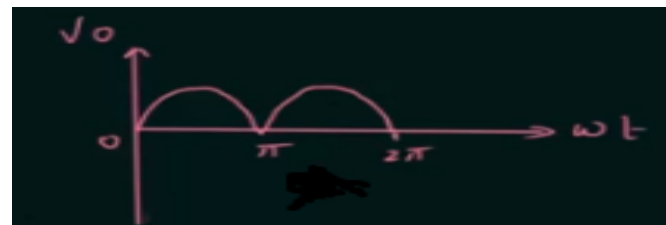
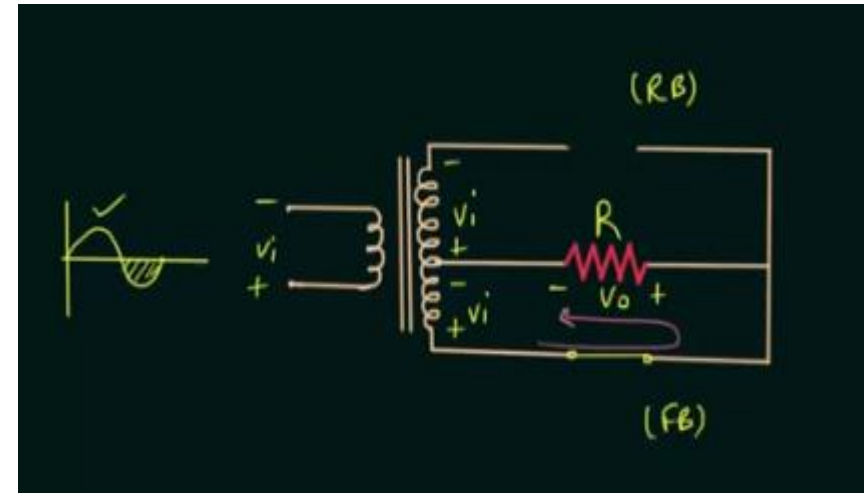
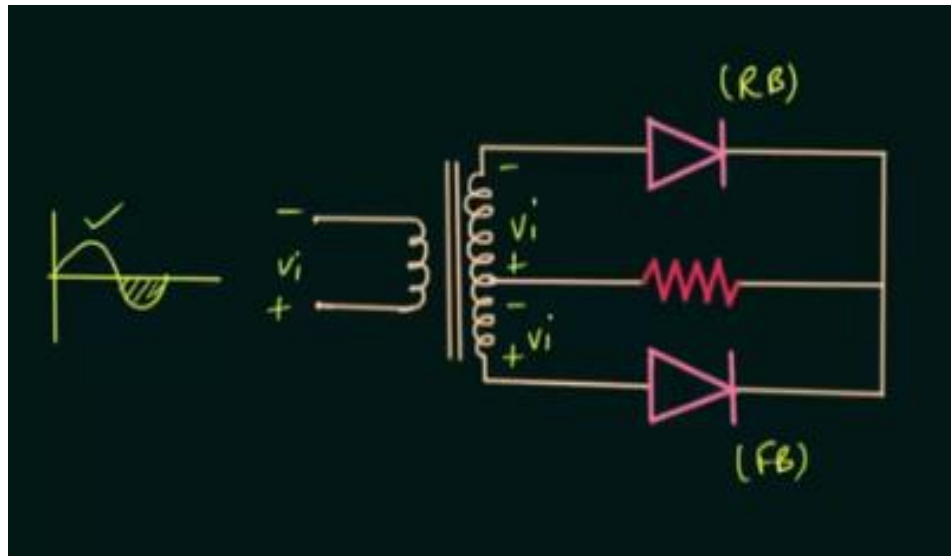
$$v_o = v_i$$

Direction of Current is from Right to Left

Full Wave Center Tapped Rectifier



Full Wave Center Tapped Rectifier

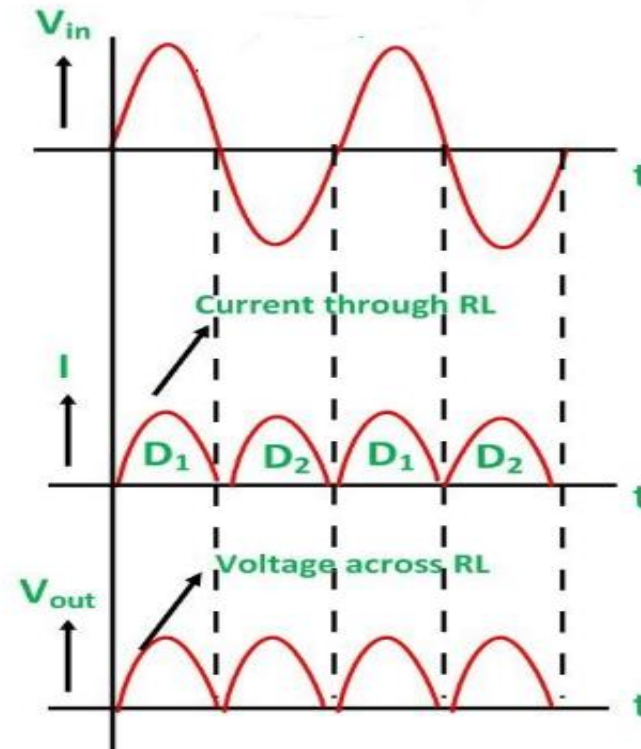


$$+v_i - v_o = 0$$

$$v_o = v_i$$

Direction of Current is from Right to Left

Full Wave Center Tapped Rectifier





Thank You

HAVE A NICE DAY